

# PATIENT TREATMENT STRETCHER

**medsurge**   
*technics for life*



## Features

- 1-) 360° Movable Castors
- 2-) Central Locking
- 3-) Mechanical CPR
- 4-) Trendelenburg
- 5-) O2 Tube Holder
- 6-) Plastic Protection Bumpers
- 7-) Rails Control (Open-Close)
- 8-) Basket
- 9-) Openable Handles
- 10-) Foot Control Pedal
- 11-) Height Adjustable IV Pole

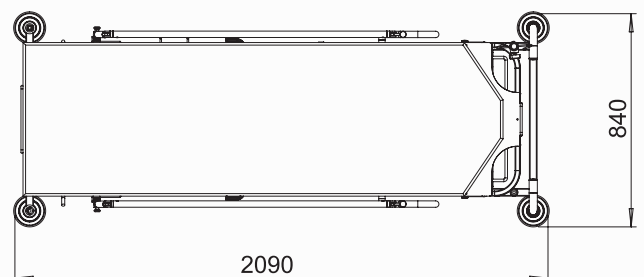
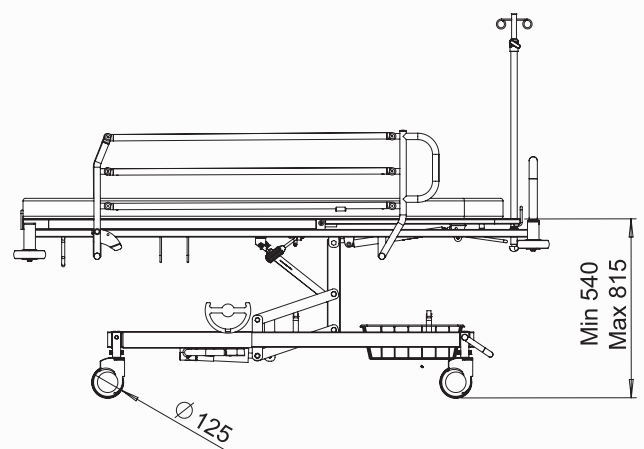


## TECHNICAL SPECIFICATIONS

- Hydraulic Controlled Height Adjustment
- Backrest, Trendelenburg And Reverse Trendelenburg Adjustment With Gas Springs
- Hygienic Designed Lying Surface
- Electrostatic Powder Coated Folding, Lockable Metallic Side Rails
- Foldable Metal Push Handles For Easier Usage
- Plastic Protection Bumpers
- 360° Movable Single Import Castors With Central Brake System (125 mm)
- Urine Bag Holders
- Accessories Slots.
- Belt Hooks.
- Height Adjustable IV Stand
- Oxygen Tube Holder
- Wire Basket For Belongings Of The Patient
- Paper Roll Holder
- Electrostatic Powder Coated Metal Frame And Components
- Metal Bed Surfaced
- Antibacterial + Water Proff Mattress

## EXPORT OPTIONS

- Defibrillator Table
- 200 mm Castors
- Full Hpl Bed Surface





MUSEUM HILL CENTRE, MUSEUM ROAD  
P.O. BOX 75534 00200  
NAIROBI, KENYA  
Tel: 0720 714 337  
Email: [info@medsurgehealth.co.ke](mailto:info@medsurgehealth.co.ke)  
Web: [www.medsurgehealth.co.ke](http://www.medsurgehealth.co.ke)